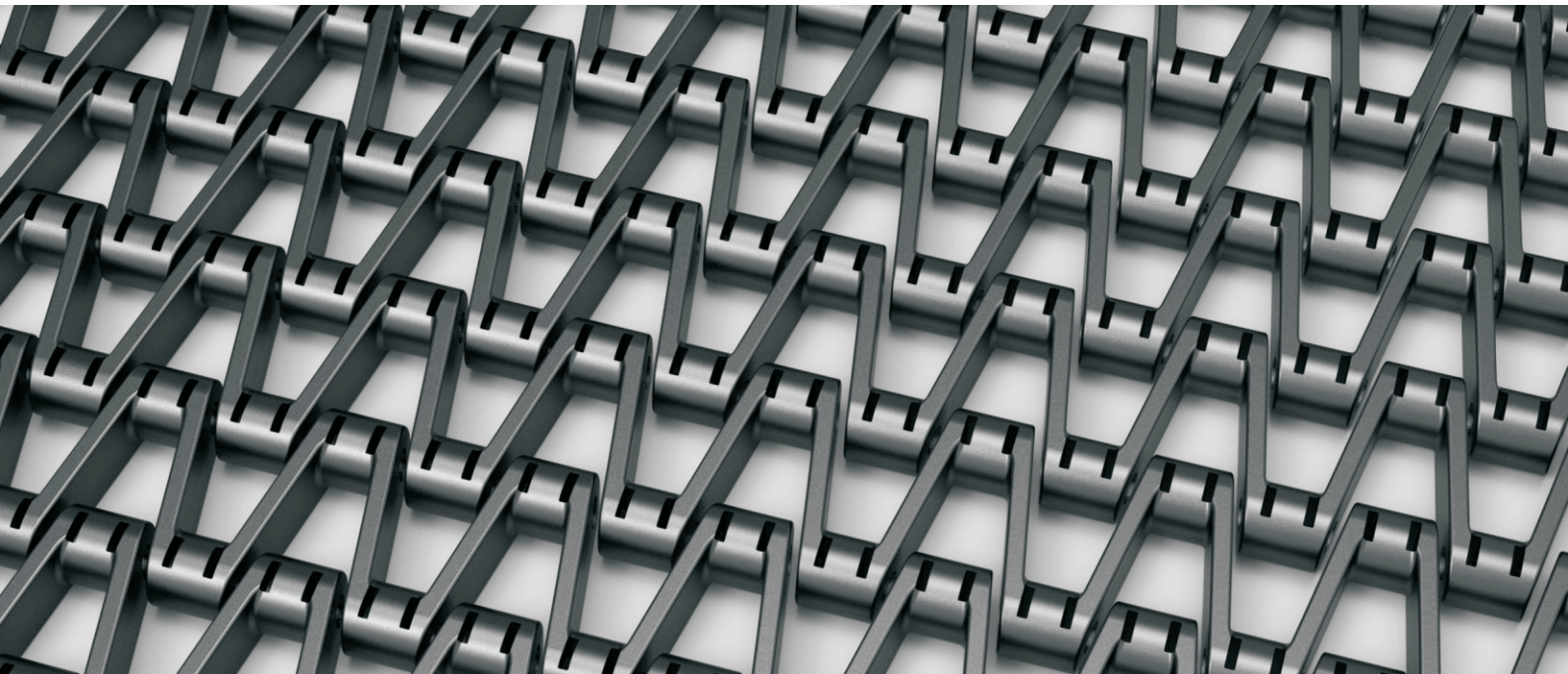


## HS-2600B Technical Data Sheet



Pitch: 25mm Minimum Width: 182mm Open Area: 44% Approved: FDA Rod: Ø 4.5mm Flight: No Side Guard: No Curve : No	
--	--

## Data

Belt Material	Belt Strength			Temperature		Belt Weight (Kg/M <sup>2</sup> )
	Straight		Curve	°C (min.)	°C (max.)	
	Kg/M(BW)	N/M(BW)				
Polypropylene	1100	11000	--	1	100	4.8
Polyethylene	1000	10000	--	-60	60	5.1
Acetal	1580	15800	--	-40	80	9.2
Nylon	1350	13500	--	1	180	6.8

**BW – Belt Width**

## Color Table

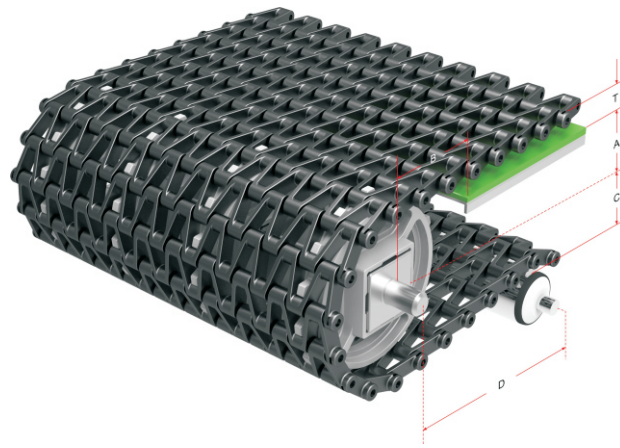
Polypropylene					Polyethylene					Acetal					Nylon				
W	G	N	DB	B	W	G	N	DB	B	W	G	N	DB	B	W	G	N	DB	B
●	●						●			●				●		●		●	

W-White, G-Gray, N-Nature, DB-Darkbrown, B-Blue

## Friction Table

Belt Material	Friction Wear strips & Products							
	UHMW	HDPE	Steel	Glass	SUS	Plastic	Cardboard	Aluminum
Polypropylene	0.32	0.24	0.15	0.09	0.13	0.08	0.15	0.25
Polyethylene	0.13	0.11	0.26	0.19	0.31	0.16	0.21	0.41
Acetal	0.11	0.09	0.27	0.16	0.26	0.15	0.19	0.28
Nylon	0.18	0.13	0.25	0.16	0.26	0.16	0.19	0.27

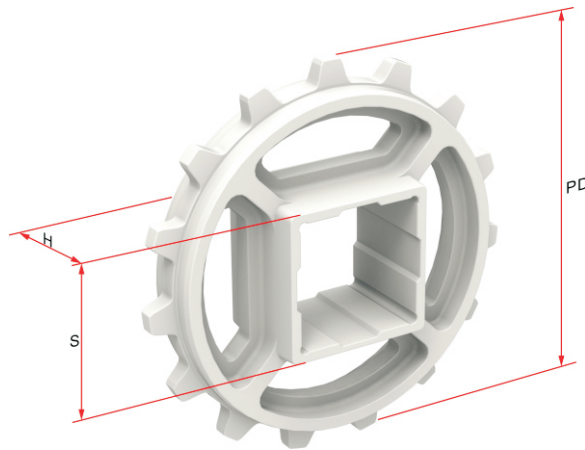
SUS – Stainless Steel



**Conveyor Frame Dimensions**

Unit : mm

No. Teeth	A ( Min.)	B ( Min.)	C ( Max.)	D ( Min.)	T
9	32	47.5	30.5	250	11
11	40.25	55.75	38.75	250	
13	48.5	64	47	250	
15	56.5	72	55	250	



**Sprocket Dimensions**

Unit: mm

No. Teeth	PD	S	D	H	K
9	75	30.5	25.4	35	6.35X3.17
11	91.5	38.5/40.5	25.5	35	7X7
13	108	38.5/40.5	25.5/30.5	35	7X7
15	124	38.5/40.5	25.4/40.1/40.5	35	6.35X3.17